

# R32 Monobloc Therma V Commissioning Sheet - Heating

## SITE OVERVIEW

Date of Installation:  Date of Commissioning:

Site Name:

Site Address:

Post Code:

Distributor Company Name

MCS Accreditation Number

## EQUIPMENT DETAILS

HP Model Number

HP Serial Number

DHW Model Number

DHW Tank Capacity

Coil Size

If DHW mode is used, please confirm mode changing value arrangement

2 x 2 Port Valves	<input type="text"/>
1 x 3 Port Valves	<input type="text"/>

Minimum water content and flow rate for the hydraulic system must be respected, to ensure the extended warranty. The criteria is detailed below;

For 7 years warranty a minimum water volume cannot include secondary wet central heating circuit(s) - UK only	System Minimum Water Volume (available at all times)	Minimum System Flow Rate
5-9 kW Capacity	25 Litres	15 l/m
12-16 kW Capacity	50 Litres	20 l/m

Magnetic Filter	<i>Highly recommended</i>
Flow Indicator	

Installer Company Name and Address

Post Code

Commissioning Engineer Name

Therma V Training Certificate Number

### Application - tick boxes

Underfloor Heating	<input type="checkbox"/>
Radiators	<input type="checkbox"/>
Solar PV	<input type="checkbox"/>
Cooling	<input type="checkbox"/>
Solar Thermal	<input type="checkbox"/>

## ELECTRICAL

Circuit Breaker Rating	Heat Pump	Immersion Heater
	<input type="text"/>	<input type="text"/>

TB1	Tick boxes for each connection terminal									
	1	2	3	4	5	6	7	8	9	10
	L	L1	N	L	N	L	N	L	N	L1
	3 Way Valve (B)			Water Pump (B)		Water Tank Heater		3 Way Valve (A)		

TB2	Tick boxes for each connection terminal									
	11	12	13	14	15	16	17	18	19	20
	A	B	L	N	L1	L2	N	L	L1	N
	3 <sup>rd</sup> Party Controller		Mix Pump		Mixing Valve			2 Way Valve (A)		

TB3	Tick boxes for each connection terminal									
	21	22	23	24	25	26	27	28	28	30
			L	N	L	N	L	N	L1	L2
			Heater (A)		Heater (B)		Thermostat (Default: 230V AC)			

Tick boxes for each connection terminal									
L	N	L	N						
TB_SG2		TB_SG1		TB_BOILER		TB_EXT_SUMP			

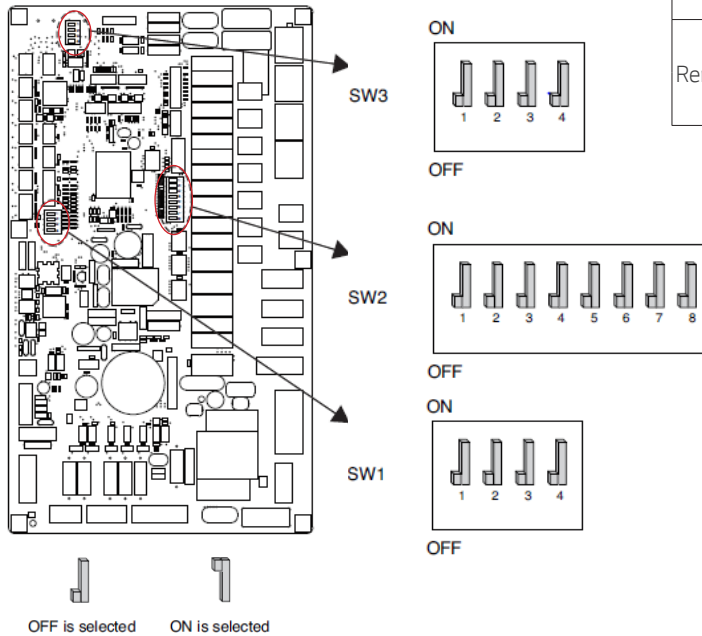
**Note:** In addition to this commissioning sheet, please provide the following documents as part of your LG extended warranty application (tick the information submitted)

MCS submittal documentation (if applicable)	<input type="checkbox"/>
LATS Therma V report (if applicable)	<input type="checkbox"/>
Hydraulic and Wiring Schematic <u>as installed</u> (a sketch is acceptable)	<input type="checkbox"/>

# R32 Monobloc Therma V Commissioning Sheet - Heating

## SW2 DIP SWITCH SETTINGS (POWER OFF WHEN SETTING)

Description	Setting		Yes	No
	1	2		
Role when central controller is equipped	1 OFF	As Master		
	1 ON	As Slave		
Accessory installation information	2 OFF	3 OFF	Unit + Outdoor unit is installed	
	2 OFF	3 ON	Unit + Outdoor unit + DHW tank is installed	
	2 ON	3 OFF	Unit + Outdoor unit + DHW tank + Solar thermal system is installed	
	2 ON	3 ON	Reserved. Don't select.	
Cycle	4 OFF	Heating only		
	4 ON	Heating + Cooling		
Flow switch detection	5 OFF	Always		
	5 ON	While water pump is on		
Selecting electric heater capacity	6 OFF	7 OFF	Electric heater is not used	
	6 ON	7 OFF	1Ø model: Half capacity is used 3Ø model: 1/3 capacity is used	
	6 OFF	7 ON	Unused	
	6 ON	7 ON	Full capacity is used	
Thermostat installation information	8 OFF	Thermostat is NOT installed		
	8 ON	Thermostat is installed		



## SW3 DIP SWITCH SETTINGS (REMOTE SENSOR)

Description	Setting	Default
Remote air sensor	1 Remote sensor is not installed	1
	1 Remote sensor is installed	

### PRE-COMMISSIONING CHECKS

System Water Pressure

Power Supply	V	Heat Pump	Immersion Heater	Back-up Heater
		L-N	L-N	L-N
		L-E	L-E	L-E
		E-N	E-N	E-N

Running Current  A  L1-N  L1-N  L1-N

### Three Phase Systems Only

Heat Pump	Immersion Heater	Back-up Heater	Heat Pump	Immersion Heater	Back-up Heater
L2-N	L2-N	L2-N	L3-N	L3-N	L3-N
L2-E	L2-E	L2-E	L3-E	L3-E	L3-E

L2-N  L2-N  L2-N  L3-N  L3-N  L3-N

# R32 Monobloc Therma V Commissioning Sheet - Heating system set up

PARAMETER	FIELD SETTING 1		FIELD SETTING 2		FIELD SETTING 3		FIELD SETTING 4	
Select Temperature Sensor	Air/Water/Air+Water							
Dry Contact Mode Auto/Manual	Auto/Manual							
Central Controller Address	(value)							
Air <b>Cooling</b> Set Temp	Min (value)		Max (value)					
Water <b>Cooling</b> Set Temp	Min (value)		Max (value)					
Air <b>Heating</b> Set Temp	Min (value)		Max (value)					
Water <b>Heating</b> Set Temp	Min (value)		Max (value)					
DHW Set Temp	Min (value)		Max (value)					
Outdoor Temp for Auto Mode <sup>(1)</sup>	Min (value)		Max (value)					
Indoor Temp for Auto Mode <sup>(1)</sup>	Min (value)		Max (value)					
LWT for Auto Mode <sup>(1)</sup>	Min (value)		Max (value)					
<sup>(1)</sup> Only If SW2 dip switch 4 = OFF								
Heater On Temp	(value)		(value)					
Water Supply Off Temp During <b>Cooling</b>	Use/Not use		Stop Temp (value)					
Tank Disinfection Setting 1	Use/Not use		Start date (date)		Start time (date)			
Tank Disinfection Setting 2	Max Temp (value)		Duration Time (time)		Forced End Time (time)			
Tank Setting 1	Min Temp (value)		Max Water Temp (value)					
Tank Setting 2	Hysteresis (value)		Priority					
Heater Priority	Main+Boost heater ON/ Boost heater only ON							
DHW Time Setting	Active time (value)		Stop Time (value)		Boost Heater Delay Time (value)			
Use Heating Tank Heater	Use*/Use Disenfect/Not Use		*Cycle or Heater+Cycle		*Delay Time			
Th on/off Variable, <b>Heating</b> Air	(value)							
Th on/off Variable, <b>Heating</b> Water	(value)							
Th on/off Variable, <b>Cooling</b> Air	(value)							
Th on/off Variable, <b>Cooling</b> Water	(value)							
<b>Heating</b> and <b>Cooling</b> Temp Setting	outlet/inlet							
Pump Setting in <b>Heating</b>	Time Setting*/Operation continue		*On (value)		*Off (value)			
Pump Setting in <b>Cooling</b>	Time Setting*/Operation continue		*On (value)		*Off (value)			
Pump Capacity	(value)							
Smart Grid	Not use/Use*		*Mode					
Seasonal Auto Temp <sup>(2)</sup>	Outdoor 1, Heat (value)		Outdoor 2, Heat (value)		Outdoor 3, Cool (value)		Outdoor 4, Cool (value)	
<sup>(2)</sup> Only If SW2 dip switch = ON	Air 1, Heat (value)		Air 2, Heat (value)		Air 3, Cool (value)		Air 4, Cool (value)	
	Water 1, Heat (value)		Water 2, Heat (value)		Water 3, Cool (value)		Water 4 Cool (value)	
Modbus Address	(value)							
CN_EXT	Not use/ Simple Operation/ Simple dry contact/ Single emergency stop							
Add zone	Use Added Zone*/Not use		*Valve Closing Time (value)		*Hysteresis (value)			
Use External Pump	Not use/Use							
3rd Party Boiler	Mode		Temp (value)		Hysteresis (value)			
Meter Interface	Modbus Address:	Not use/(value)						
	Unit:	Port 1 Pulse/kwh (value)	Port 2 Pulse/kwh (value)		Port 3 Pulse/kwh (value)		Port 4 Pulse/kwh (value)	
Pump Prerun/overrun	Prerun (value)		Overrun (value)					

# R32 Monobloc Therma V Commissioning Sheet - Heating

## MONITORING

Outdoor Air Temperature	
-------------------------	--

Time powered on before running system	
---------------------------------------	--

*After 15 minutes of operation*

HEAT MODE:	
Target Temperature	
Flow Rate* (if there is a flow meter installed)	
Water Outlet Temperature	
Water Inlet Temperature	

Running Current	
-----------------	--

*After 15 minutes of operation*

DHW MODE:	
Target Temperature	
Flow Rate* (if there is a flow meter installed)	
Water Outlet Temperature	
Water Inlet Temperature	

Running Current	
-----------------	--

**Note:** Installers or users of air conditioning or heat pump equipment always need to follow the installation and operational instructions of equipment manufacturers. An F-Gas certificate is required when working on or breaking into a refrigerant circuit. It is not required for water connections. The Therma V Monobloc units contains fluorinated Greenhouse Gases (R32) which is a category A2L refrigerant. Lower toxicity, lower flammability ('mildly flammable')